

**AGE TECH. CO., LTD.**2F.,No.11 Nanyuan 2nd Rd.,Jhongli City, Taoyuan County  
320, Taiwan R.O.C..

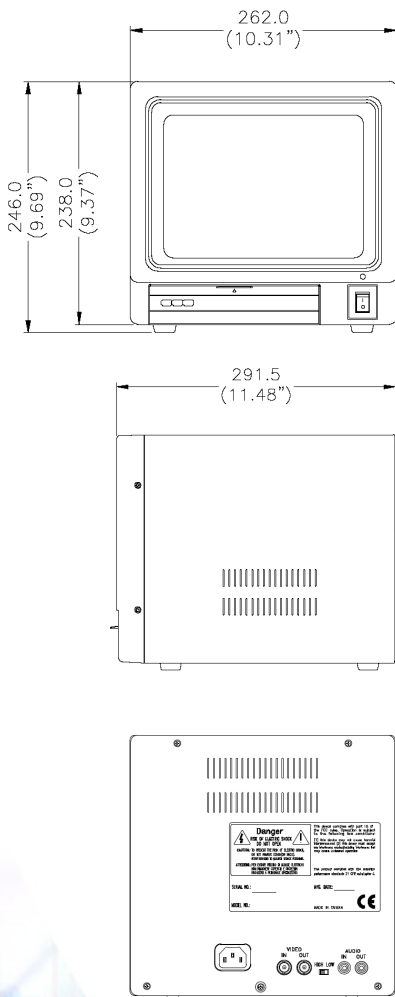
Tel : 886-3-433-1575

Fax : 886-3-461-3911

http://www.yaba.com.tw

E-mail : yabamaster@yaba.com.tw

# 10" COLOR CRT MONITOR



## SPECIFICATION

Model	MN-CRTC105A	MN-CRTC105B
System	NTSC/ PAL auto detection	
Picture Tube Dimension	10"	
Front Control	Power ON/ OFF: rocker switch Color/ Contrast/ Brightness/ Tint(NTSC only): rotary control Volume: rotary control (optional)	
Resolution	Center: 500 TV lines, Corner: 400 TV lines	
Input Signal	0.5 to 2.0 Vp-p composite video	
Input Impedance	75 ohm or higher (switch able)	
Bandwidth	6 MHZ	
Video Gain	30 dB	
Linearity	Horizontal: 10% (Max), Vertical: 10%	
Operating System	NTSC: 525 lines, 60 fields/ sec PAL: 625 lines, 50 fields/ sec	
Video (In/ Out)	BNC or F connector: Input x 1/ Output x 1	
Audio (In/ Out)	RCA: input x 1/ output x 1	None
Audio Input Signal	1 Vp-p	None
Speaker	1W/ 8 ohm	None
Input Voltage	AC 96~256V,50Hz/ 60Hz	
Power Consumption	40W	
Weight	N.W./ G.W.: 8KG/ 9KG	
Dimension	262(W) x 291.5(D) x 246(H)mm	
Operating Temperature	-10 to 50°C	
Storage Temperature	-20 to 70°C	
Certificate	UL / CE / CSA / FDA / FCC / CUL / TUV	